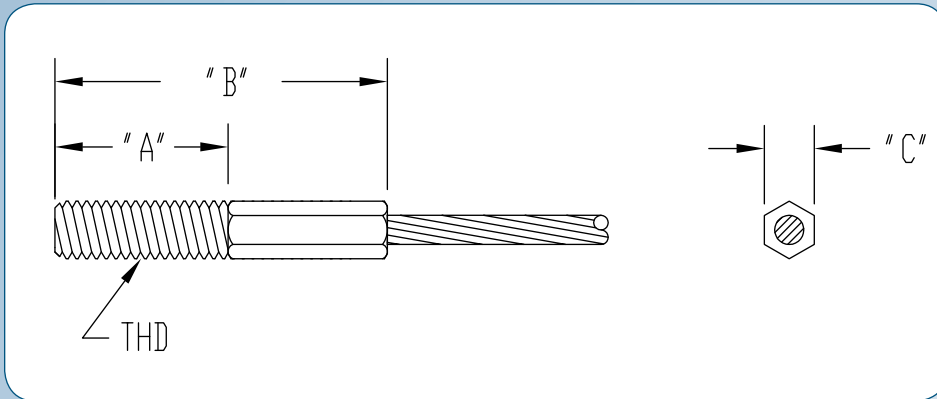


Core Fittings

CORE THREADED FITTINGS



BERGEN CABLE TECHNOLOGY, LLC



CORE THREADED FITTINGS

PART NUMBER	FITS CORE DIAMETER	MATERIAL	FINISH	THD	"A"	"B"	"C"
BW440-15P	3/64" (.046)	Carbon ST	Zinc	#10-24, 2A	0.50	1.00	0.16
BW440-15S		STST	Passivate	#10-24, 2A	0.50	1.00	0.16
404-00-193		Brass	None	#10-24, 2A	0.50	1.04	0.16
BW443-15-219		STST	None	#10-32, 2A	2.00	2.54	0.12
404-00-196		STST	None	#5-40, 2A	0.50	1.05	0.10
403-15-190		STST	None	#8-32, 2A	0.75	1.57	0.13
444-15-451		Brass	None	M5+Flat	1.30	2.27	0.18
BW433-01-041		STST	None	#5-40, 2A	0.62	1.17	0.10
BW440-2P	1/16" (.062)	Carbon ST	Zinc	#10-24, 2A	0.50	1.12	0.16
BW440-2S		STST	Passivate	#10-24, 2A	0.50	1.12	0.16
1152-1		Brass	None	M5 + Flat	1.30	2.29	0.18
3213-1		STST	Passivate	#10-24, 2A	0.42	1.10	0.19
3213-2		STST	Passivate	#10-24, 2A	1.00	1.74	0.19
404-02-191		Brass	None	#10-24, 2A	1.50	2.39	0.16
404-02-194		Brass	None	#8-32, 2A	1.00	1.64	0.16
3111-1		STST	Passivate	M6 X 1	0.75	1.47	0.22
404-00-197		Brass	None	1/4-20, 2A	0.75	1.36	0.22
BW440-02-434		Carbon ST	Zinc	1/4-28, 2A	1.06	1.84	0.16
BW443-02-417		STST	None	#10-32, 3A	1.00	1.70	0.16
3093-2		STST	Passivate	#10-32, 2A	1.50	3.19	0.16
3094-2	STST	Passivate	#10-32, 2A	1.25	2.08	0.16	

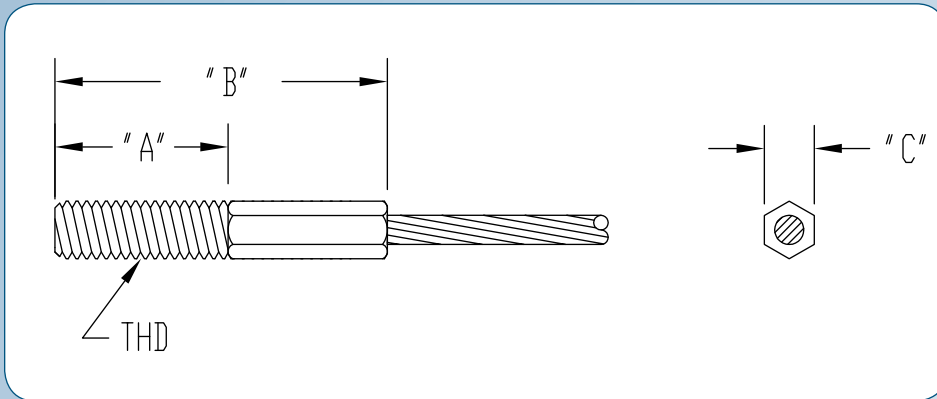
Note: All dimensions are reference, after swage and in inches unless otherwise noted.

Core Fittings

CORE THREADED FITTINGS



BERGEN CABLE TECHNOLOGY, LLC



CORE THREADED FITTINGS							
PART NUMBER	FITS CORE DIAMETER	MATERIAL	FINISH	THD	"A"	"B"	"C"
BW440-3P	3/32" (.093)	Carbon ST	Zinc	1/4-20, 2A	0.75	1.38	0.22
BW440-3S		STST	Passivate	1/4-20, 2A	0.75	1.38	0.22
443-03-493		Carbon ST	Zinc	#10-24, 2A	0.75	1.38	0.22
BW440-4S	1/8" (.125)	STST	Passivate	1/4-20, 2A	0.75	1.44	0.22
BW442-04-426		Carbon ST	Zinc	1/4-28, 2A	0.75	1.55	0.22
3219-1		STST	None	1/4-28, 2A	1	1.88	0.22
BW442-04-425		Carbon ST	Zinc	1/4-28, 3A	1.25	2.31	0.22
BW403-04-189		STST	None	1/4-28, 3A	1.00	1.96	0.22
BW442-04-439		Carbon ST	Zinc	5/16-18, 2A	2.50	3.40	0.27
402-05-202	5/32" (.156)	Carbon ST	Zinc	1/4-28-2A	0.75	2.15	0.27
402-05-201		Carbon ST	Zinc	3/8-16, 2A	2.35	4.75	0.27
BW440-6P	3/16" (.187)	Carbon ST	Zinc	3/8-16, 2A	1.250	2.25	0.31
BW440-10P	5/16" (.312)	Carbon ST	Zinc	5/8-11, 2A	1.75	3.46	0.56
BW443-06-371		Carbon ST	Zinc	3/8-16, 2A	2.62	3.75	0.31
BW442-10-261		Carbon ST	Zinc	3/8-16, 2A	2.10	3.27	0.54

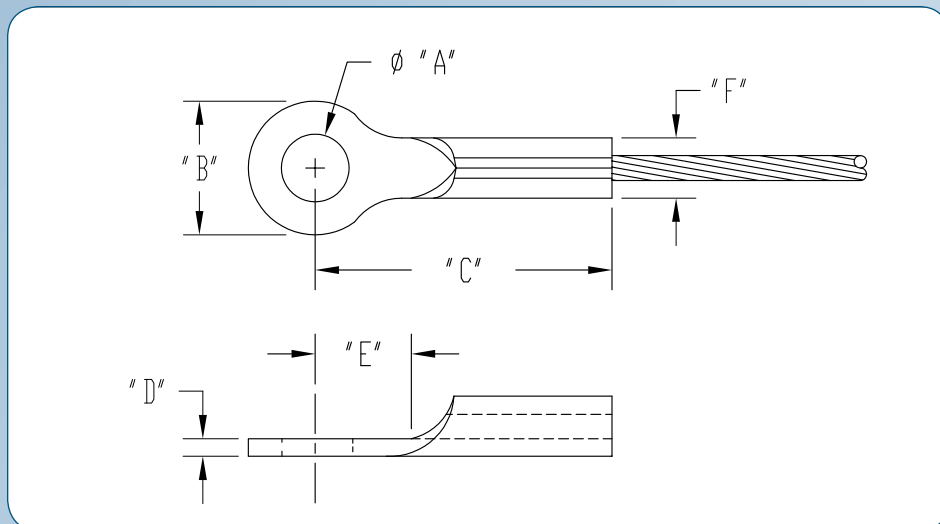
Note: All dimensions are reference, after swage and in inches unless otherwise noted.

Core Fittings

CORE EYE FITTINGS



BERGEN CABLE TECHNOLOGY, LLC



CORE EYE FITTINGS

PART NUMBER	FITS CORE DIAMETER	MATERIAL	FINISH	Ø "A"	"B"	"C"	"D"	"E"	"F"
23015P156075	3/64" (.046)	Carbon ST	Zinc	0.156	0.32	0.75	0.042	0.17	0.14
23015S156075		STST	None	0.156	0.32	0.75	0.042	0.17	0.14
230-15SPASS		STST	Passivate	0.156	0.32	0.75	0.042	0.17	0.14
23015P171075		Carbon ST	Zinc	0.171	0.32	0.75	0.042	0.17	0.14
23015P180075		Carbon ST	Zinc	0.180	0.32	0.75	0.042	0.17	0.14
23015S190075		STST	None	0.190	0.32	0.75	0.042	0.17	0.14
232-15-145		Carbon ST	Zinc	.472*	0.60	0.80	0.046	0.30	0.21
2195-1	1/16" (.062)	STST	Passivate	0.130	0.39	0.67	0.036	0.20	0.21
2302P156075		Carbon ST	Zinc	0.156	0.42	0.75	0.062	0.22	0.21
2302P190075		Carbon ST	Zinc	0.190	0.42	0.75	0.062	0.22	0.21
2302P190100		Carbon ST	Zinc	0.190	0.42	1.00	0.062	0.22	0.21
2302P240075		Carbon ST	Zinc	0.240	0.42	0.75	0.062	0.22	0.21
2302P260075		Carbon ST	Zinc	0.260	0.42	0.75	0.062	0.22	0.21
2302P260100		Carbon ST	Zinc	0.260	0.42	1.00	0.062	0.22	0.21
2302S190100		STST	None	0.190	0.42	1.00	0.062	0.22	0.21
2302S218100		STST	None	0.218	0.42	1.00	0.062	0.22	0.21
2302S250100		STST	None	0.250	0.42	1.00	0.062	0.22	0.21
232-02-150		Carbon ST	Zinc	0.265	0.47	0.50	0.062	0.25	0.21

* Hole contains a .18" Dia rounded notch.

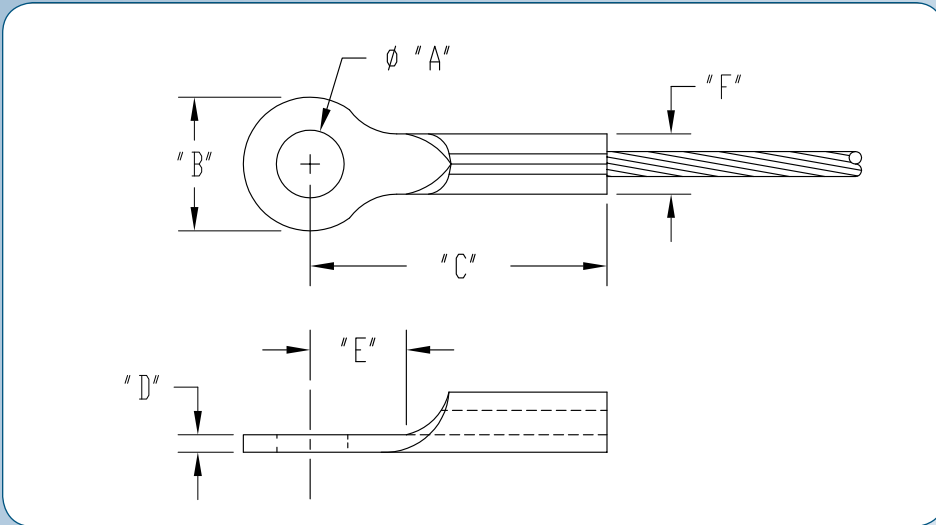
Note: All dimensions are reference, after swage and in inches.

Core Fittings

CORE EYE FITTINGS



BERGEN CABLE TECHNOLOGY, LLC



CORE EYE FITTINGS

PART NUMBER	FITS CORE DIAMETER	MATERIAL	FINISH	Ø "A"	"B"	"C"	"D"	"E"	"F"
2303S203150	3/32" (.093)	STST	None	0.203	0.50	1.50	0.093	0.33	0.28
2303P250150		Carbon ST	Zinc	0.250	0.50	1.50	0.093	0.33	0.28
2303S250150		STST	None	0.250	0.50	1.50	0.093	0.33	0.28
2303P257150		Carbon ST	Zinc	0.257	0.50	1.50	0.093	0.33	0.28
2304S250200PASS	1/8" (.125)	STST	Passivate	0.250	0.58	2.00	0.125	0.62	0.35
2306P281300	3/16" (.187)	Carbon ST	Zinc	0.281	0.82	3.00	0.187	0.66	0.55

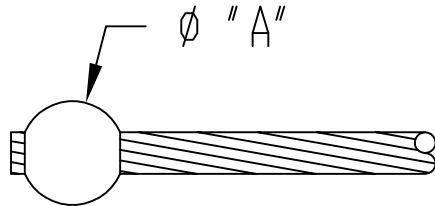
Note: All dimensions are reference, after swage and in inches.

Core Fittings

CORE BALL FITTINGS



BERGEN CABLE TECHNOLOGY, LLC



CORE BALL FITTINGS

PART NUMBER	FITS CORE DIAMETER	MATERIAL	FINISH	Ø "A"
BW303-15-133	3/64" (.046)	STST	None	0.093
BW303-15-138			Passivate	0.125
BW300-15S			Passivate	0.190
303-15-150			None	0.250
BW303-02-134	1/16" (.062)	STST	None	0.170
BW300-2S			Passivate	0.190
BW303-02-082			None	0.250
BW300-3S	3/32" (.093)	STST	Passivate	0.253
BW300-4S	1/8" (.125)	STST	Passivate	0.315
BW300-6S	3/16" (.187)	STST	Passivate	0.442

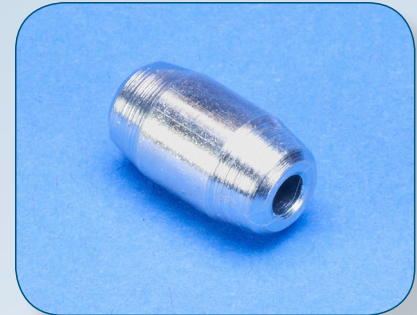
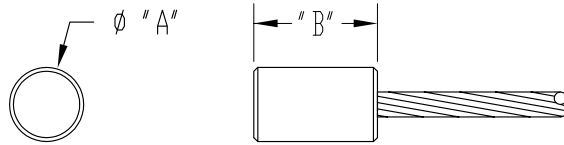
Note: All dimensions are reference, after swage and in inches.

Core Fittings

CORE PLUG FITTINGS (ROUND SWAGE)



BERGEN CABLE TECHNOLOGY, LLC



CORE PLUG FITTINGS (ROUND SWAGE)

PART NUMBER	FITS CORE DIAMETER	MATERIAL	FINISH	ϕ "A"	"B"
BW310-15S	3/64" (.046)	STST	None	0.190	0.28
3402-1	1/16" (.062)	STST	None	0.188	0.49
BW310-2S		STST	None	0.250	0.38
BW310-3S	3/32" (.093)	STST	None	0.312	0.50
BW312-03-455		Carbon ST	Zinc	0.312	0.88
BW310-4S	1/8" (.125)	STST	None	0.375	0.63
3402-2	3/16" (.187)	STST	None	0.307	1.30
313-06-487		STST	None	0.371	0.39
BW310-6S		STST	None	0.500	0.75
313-06-486		STST	None	0.684	0.47
BW310-8S		1/4" (.250)	STST	None	0.625
BW312-04-452	Carbon ST		Zinc	0.375	0.88
313-12-491	3/8" (.375)	STST	None	0.684	0.75
313-12-490		STST	None	0.871	0.75
BW310-12S		STST	None	0.875	1.56

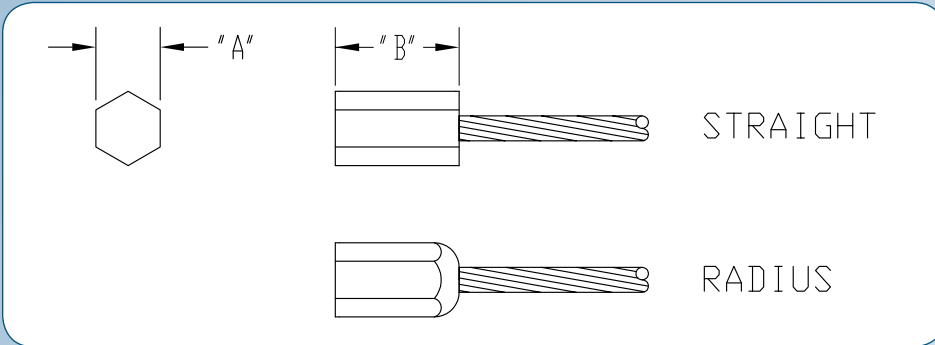
Note: All dimensions are reference, after swage and in inches.

Core Fittings

CORE PLUG FITTINGS (HEX SWAGE)



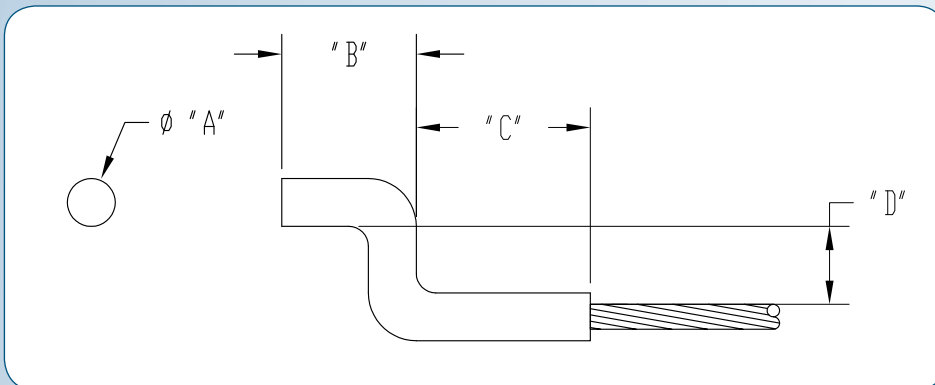
BERGEN CABLE TECHNOLOGY, LLC



CORE PLUG FITTINGS (HEX SWAGE)						
PART NUMBER	FITS CORE DIAMETER	MATERIAL	FINISH	Ø "A"	"B"	END TYPE
BW313-15-428	3/64" (.046)	STST	Passivate	0.11	0.14	Straight
315-15-476		Carbon ST	Zinc	0.11	0.14	Straight
315-15-475		Aluminum	None	0.16	0.25	Straight
BW312-15-447		Carbon ST	Zinc	0.16	0.25	Radius
315-15-474		Aluminum	None	0.22	0.25	Straight
3174-1	1/16" (.062)	STST	Passivate	0.11	0.13	Straight
312-04-500	1/8" (.125)	Carbon ST	Zinc	0.31	0.63	Straight

Note: All dimensions are reference, after swage and in inches.

CORE "Z" FITTING



CORE "Z" FITTING							
PART NUMBER	FITS CORE DIAMETER	MATERIAL	FINISH	"A"	"B"	"C"	"D"
BW538-00-023	1/16" (.062)	Carbon ST	Zinc	0.12	0.78	0.44	0.17

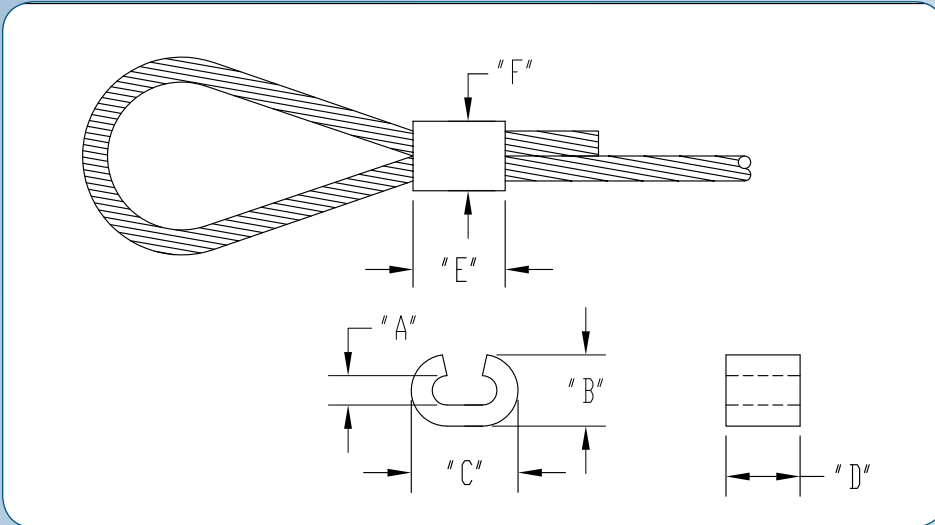
Note: All dimensions are reference, after swage and in inches.

Core Fittings

BER-LOK LOOP SLEEVE FITTINGS



BERGEN CABLE TECHNOLOGY, LLC



BER-LOK LOOP SLEEVE FITTINGS

PART NUMBER	FITS CORE DIAMETER	MATERIAL	FINISH	"A"	"B"	"C"	"D"	"E"	"F"
BW650-2P	1/16" (.062)	Carbon ST	Zinc	0.09	0.20	0.25	0.41	0.47	0.18
BW650-3P	3/32" (.093)	Carbon ST	Zinc	0.13	0.27	0.40	0.59	0.67	0.24
BW650-4P	1/8" (.125)	Carbon ST	Zinc	0.16	0.40	0.52	0.77	0.87	0.35

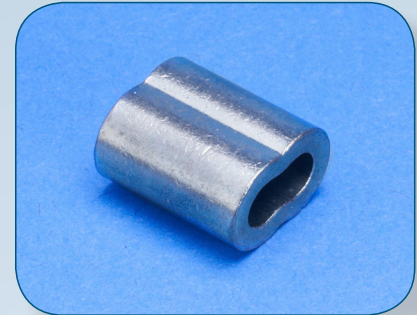
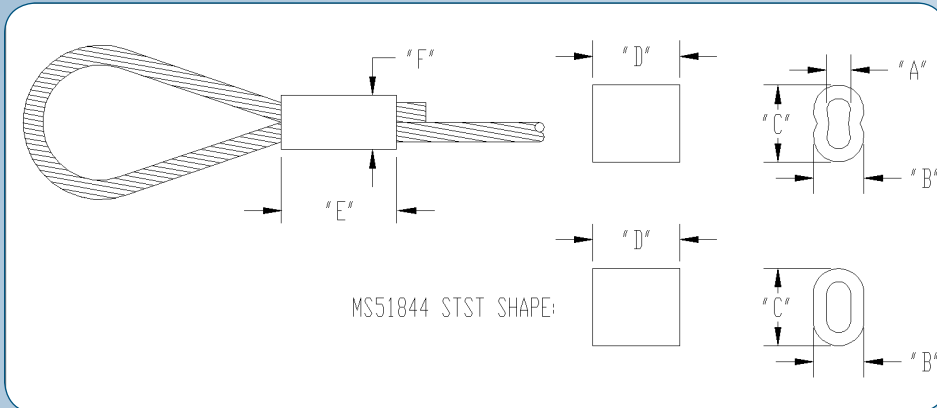
Note: All dimensions are reference, after swage and in inches.

Core Fittings

CORE LOOP SLEEVE FITTINGS



BERGEN CABLE TECHNOLOGY, LLC



CORE LOOP SLEEVE FITTINGS

PART NUMBER	FITS CORE DIAMETER	MATERIAL	FINISH	"A"	"B"	"C"	"D"	"E"	"F"
BW600-1	1/32" (.031)	Copper	None	3/64	3/32	1/8	1/4	0.29	0.08
BW610-1		Copper	Zinc	3/64	3/32	1/8	1/4	0.29	0.08
MS51844-20		Copper	Zinc	3/64	3/32	1/8	1/4	0.29	0.09
MS51844-60		STST	Passivated		3/32	9/64	1/4	0.29	0.10
BW610-15	3/64" (.046)	Copper	Zinc	1/16	9/64	13/64	3/8	0.44	0.15
MS51844-61		STST	Passivated		1/8	13/64	3/8	0.44	0.14
BW600-2	1/16" (.062)	Copper	None	3/32	11/64	1/4	3/8	0.44	0.19
BW610-2		Copper	Zinc	3/32	11/64	1/4	3/8	0.44	0.19
BW610-2S		STST	Passivated		9/64	7/32	3/8	0.44	0.15
MS51844-22		Copper	Zinc	3/32	11/64	1/4	3/8	0.44	0.18
MS51844-62		STST	Passivated		9/64	7/32	3/8	0.44	0.15
MS51844-82		Copper	Tin	3/32	11/64	1/4	3/8	0.44	0.18
BW600-3	3/32" (.093)	Copper	None	1/8	7/32	3/8	7/16	0.50	0.27
BW610-3		Copper	Zinc	1/8	7/32	3/8	7/16	0.50	0.27
BW610-3A		Aluminum	None	1/8	1/4	3/8	1/2	0.57	0.27
MS51844-23		Copper	Zinc	1/8	7/32	3/8	7/16	0.50	0.26
MS51844-63		STST	Passivated		11/64	9/32	3/8	0.44	0.19

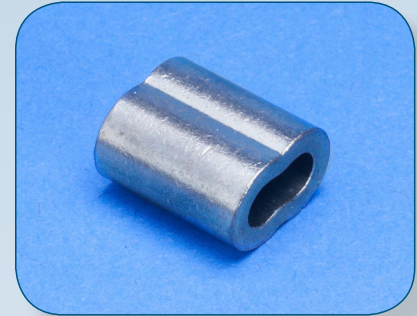
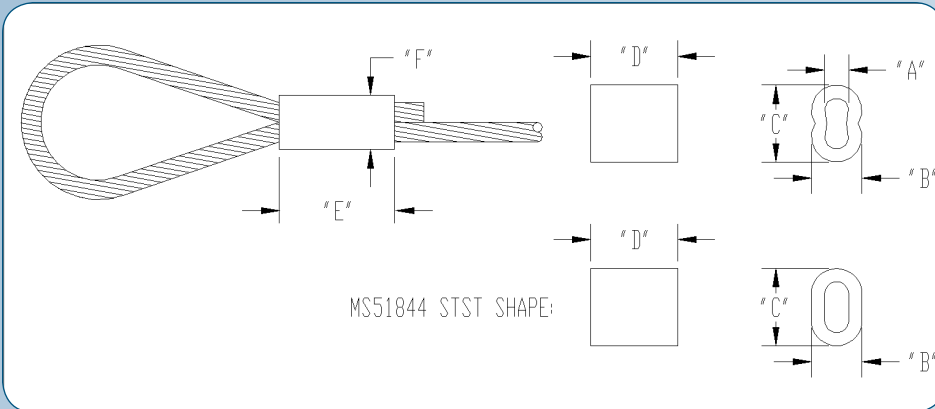
Note: All dimensions are reference, after swage and in inches.

Core Fittings

CORE LOOP SLEEVE FITTINGS



BERGEN CABLE TECHNOLOGY, LLC



CORE LOOP SLEEVE FITTINGS

PART NUMBER	FITS CORE DIAMETER	MATERIAL	FINISH	"A"	"B"	"C"	"D"	"E"	"F"
BW600-4	1/8" (.125)	Copper	None	5/32	21/64	1/2	9/16	0.75	0.35
BW610-4		Copper	Zinc	5/32	21/64	1/2	9/16	0.75	0.35
BW610-4A		Aluminum	None	5/32	21/64	31/64	5/8	0.83	0.35
MS51844-24		Copper	Zinc	5/32	21/64	1/2	9/16	0.75	0.36
MS51844-64		STST	Passivated		7/32	3/8	3/8	0.44	0.35
BW610-5	5/32" (.156)	Copper	Zinc	3/16	23/64	19/32	5/8	0.83	0.56
MS51844-65		STST	Passivated		5/16	31/64	47/64	0.97	0.48
MS51844-26	3/16" (.187)	Copper	Zinc	7/32	7/16	21/32	1	1.33	0.66
MS51844-66		STST	Passivated		11/32	35/64	63/64	1.31	0.53
BW610-10	5/16" (.312)	Copper	Zinc	3/8	43/64	1-1/64	1-1/8	1.50	1.01

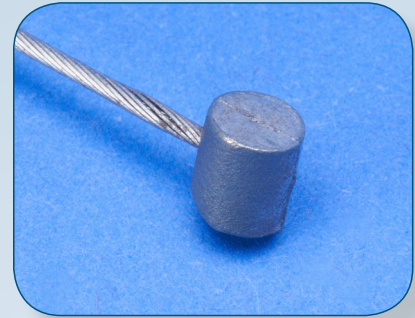
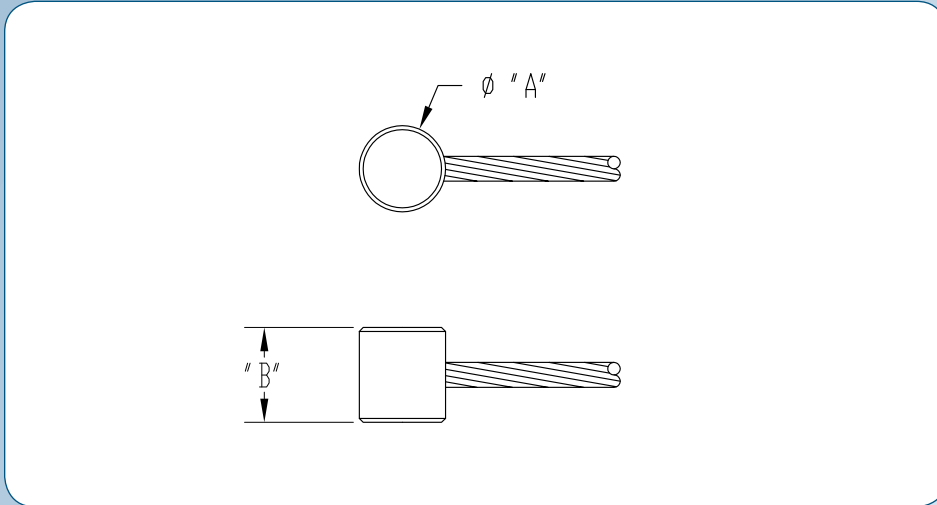
Note: All dimensions are reference, after swage and in inches.

Core Fittings

BARREL FITTINGS



BERGEN CABLE TECHNOLOGY, LLC



BARREL FITTINGS

PART NUMBER	FITS CORE DIAMETER	MATERIAL	FINISH	Ø "A"	"B"	CRIMP OR DIE CAST
3053-4	3/64" (.046)	STST	None	0.220	0.250	Crimp
3053-4 MOD	1/16" (.062)	STST	None	0.220	0.250	Crimp
313-02-478	1/16" (.062)	STST	None	0.225	0.300	Crimp
2182-1	1/16" (.062)	STST	None	0.275	0.500	Crimp
2237-1	1/16" (.062)	STST	Passivate	0.309	0.410	Crimp
/6804-2	3/64" (.046) 1X19 Galv 34.75" L	Zinc	N/A	0.219	0.240	Die Cast
/6094-2	3/64" (.046) 1X19 Galv 41" L	Zinc	N/A	0.219	0.240	Die Cast
0444-1	3/64" (.046) 1X19 Galv 42" L	Zinc	N/A	0.219	0.240	Die Cast
/6390-2	3/64" (.046) 1X19 Galv 45" L	Zinc	N/A	0.219	0.240	Die Cast
0742-1	3/64" (.046) 1X19 Galv 46" L	Zinc	N/A	0.219	0.240	Die Cast
/6252-2	3/64" (.046) 7X7 STST 53" L	Zinc	N/A	0.219	0.240	Die Cast
2001-1	3/64" (.046) 1X19 Galv 55" L	Zinc	N/A	0.219	0.240	Die Cast
3220-1 + 3220-2	1/8 (.125)	STST	None	0.380	0.500	Crimp

Note: All dimensions are reference, after swage and in inches.