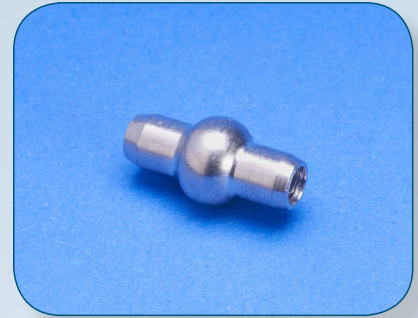
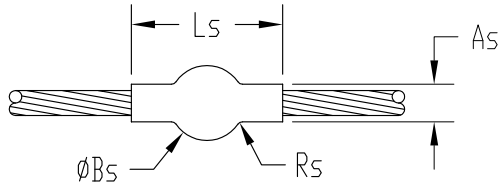


MIL-Spec Fittings DOUBLE SHANK



BERGEN CABLE TECHNOLOGY, LLC



DOUBLE SHANK

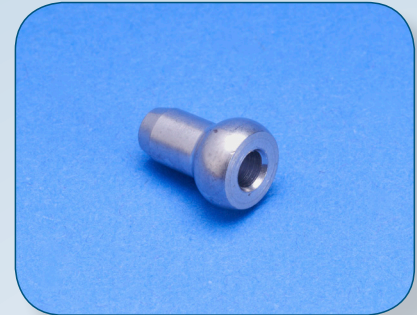
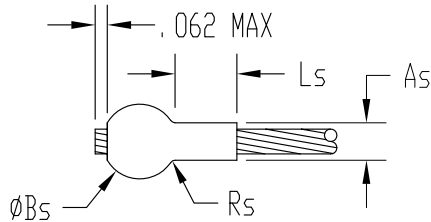
PART NUMBER	CABLE DIAMETER	AS DIAMETER		BS DIAMETER		LS	RS
MS20663C2	1/16" (.062)	0.112	+0.000 -0.003	0.190	+0.000 -0.003	0.390	0.014
MS20663C3	3/32" (.093)	0.143		0.253		0.578	0.019
MS20663C4	1/8" (.125)	0.190		0.315		0.765	0.023
MS20663C5	5/32" (.156)	0.222	+0.000 -0.004	0.379	+0.000 -0.004	0.953	0.028
MS20663C6	3/16" (.187)	0.255	+0.000 -0.005	0.442	+0.000 -0.005	1.140	0.033

Note: All dimensions are reference, after swage and in inches unless otherwise noted.

MIL-Spec Fittings BALL & SHANK



BERGEN CABLE TECHNOLOGY, LLC



BALL & SHANK

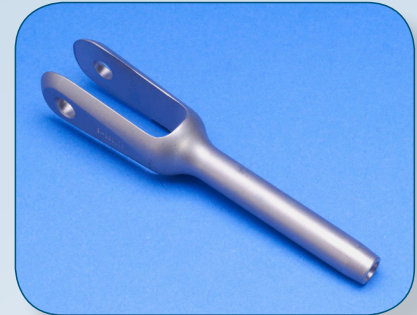
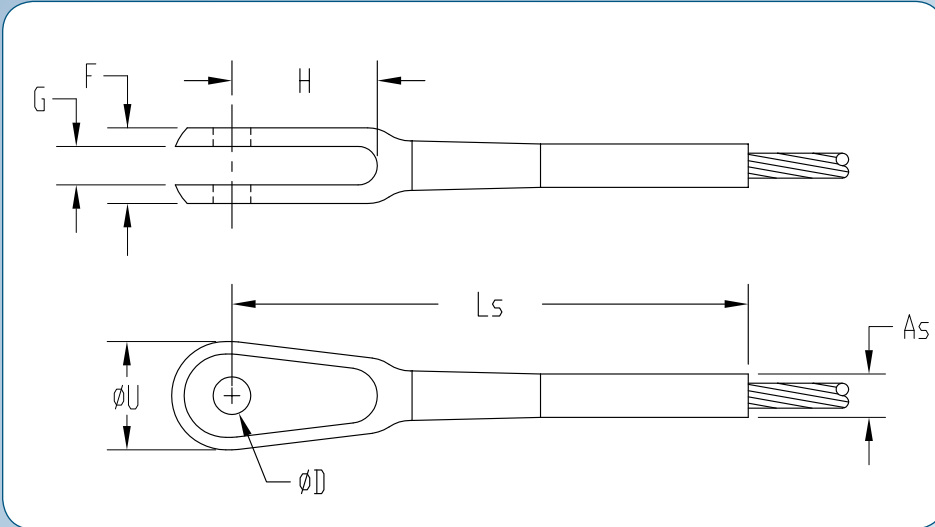
PART NUMBER	CABLE DIAMETER	AS DIAMETER		BS DIAMETER		LS	RS
MS20664C2	1/16" (.062)	0.112	+.000 -.003	0.190	+.000 -.003	0.156	0.014
MS20664C3	3/32" (.093)	0.143		0.253		0.234	0.019
MS20664C4	1/8" (.125)	0.190		0.315		0.313	0.023
MS20664C5	5/32" (.156)	0.222	+.000 -.004	0.379	+.000 -.004	0.391	0.028
MS20664C6	3/16" (.187)	0.255	+.000 -.005	0.442	+.000 -.005	0.469	0.033
MS20664C7	7/32" (.218)	0.302		0.505		0.547	0.038
MS20664C8	1/4" (.250)	0.348		0.567		0.625	0.042
MS20664C10	5/16" (.312)	0.413	+.000 -.007	0.694	+.000 -.007	0.813	0.046

Note: All dimensions are reference, after swage and in inches unless otherwise noted.

MIL-Spec Fittings FORK



BERGEN CABLE TECHNOLOGY, LLC



FORK

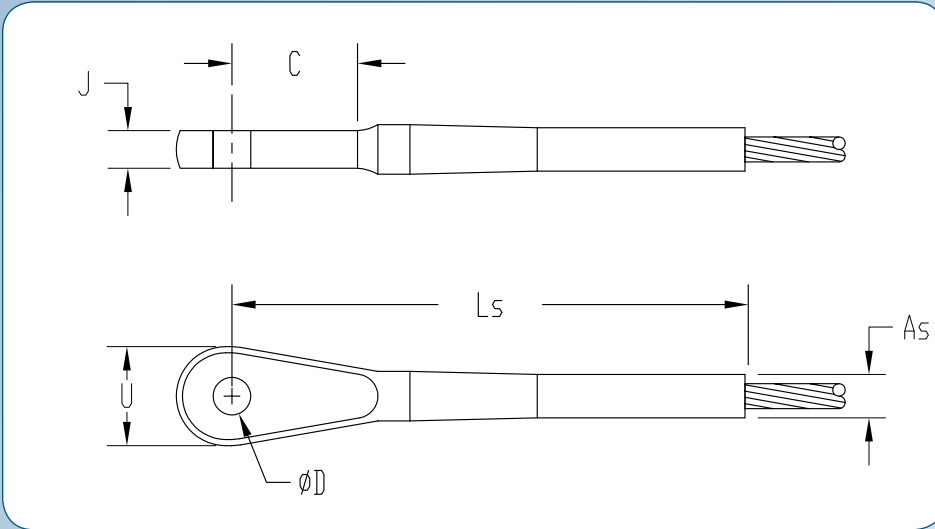
PART NUMBER	CABLE DIAMETER	AS DIAMETER	D DIAMETER		F	G ±.003	H	LS	U +.025 -0.10	
MS20667-2	1/16" (.062)	0.138	+0.000 -0.005	0.190	+0.002 -0.000	0.218	0.093	0.500	1.75	0.344
MS20667-3	3/32" (.093)	0.190				0.254	0.108	0.670	2.06	0.438
MS20667-4	1/8" (.125)	0.219				0.383	0.195	0.735	2.61	0.547
MS20667-5	5/32" (.156)	0.250				0.406	0.202	0.800	3.00	0.688
MS20667-6	3/16" (.187)	0.313				0.543	0.260	0.880	3.24	0.781
MS20667-8	1/4" (.250)	0.438	+0.000 -0.007	0.375	0.688	0.313	1.070	4.10	0.969	
MS20667-10	5/16" (.312)	0.563	+0.000 -0.008	0.438	0.765	0.348	1.268	4.86	1.265	
MS20667-12	3/8" (.375)	0.625			0.497	+0.005 -0.000	0.830	0.380	1.525	5.74

Note: All dimensions are reference, after swage and in inches unless otherwise noted.

MIL-Spec Fittings EYE



BERGEN CABLE TECHNOLOGY, LLC



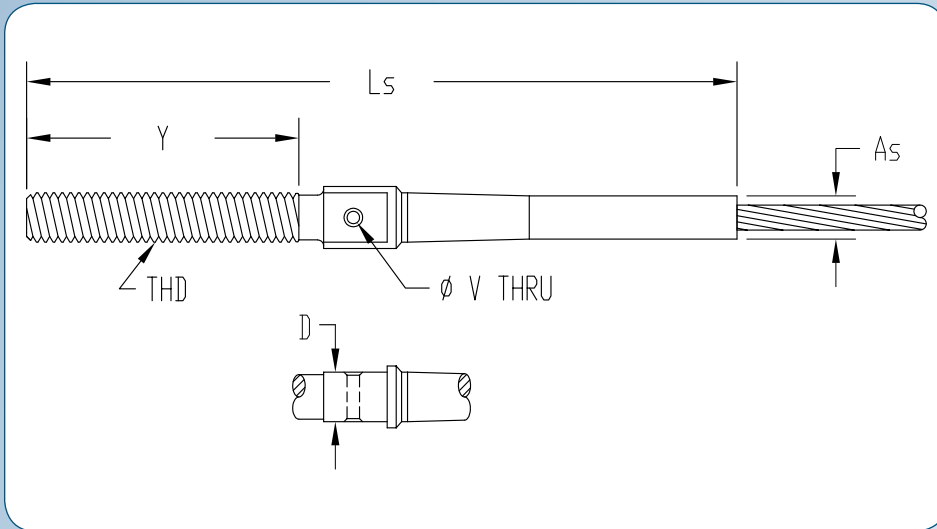
EYE										
PART NUMBER	CABLE DIAMETER	AS DIAMETER	C ±.020	D DIAMETER			J		LS	U +.025 -.010
MS20668-2	1/16" (.062)	0.138		0.523	0.190			0.088	+.000 -.005	1.809
MS20668-3	3/32" (.093)	0.190	0.707	0.103				2.160		0.438
MS20668-4	1/8" (.125)	0.219	0.738	0.250			0.190		2.593	0.500
MS20668-5	5/32" (.156)	0.250	0.831				0.197		3.029	0.640
MS20668-6	3/16" (.187)	0.313	0.903	0.313			0.255	+.000 -.010	3.187	0.781
MS20668-7	7/32" (.218)	0.375	1.007				0.291		3.678	0.813
MS20668-8	1/4" (.250)	0.438	1.133	0.375	0.438		0.307		4.062	0.968
MS20668-10	5/16" (.312)	0.563	1.373	0.343			4.969		1.218	
MS20668-12	3/8" (.375)	0.625	1.688	0.497	+.005 -.000		0.375	+.000 -.015	5.968	1.500

Note: All dimensions are reference, after swage and in inches unless otherwise noted.

MIL-Spec Fittings STUD (LONG THREAD)



BERGEN CABLE TECHNOLOGY, LLC



STUD (LONG THREAD)

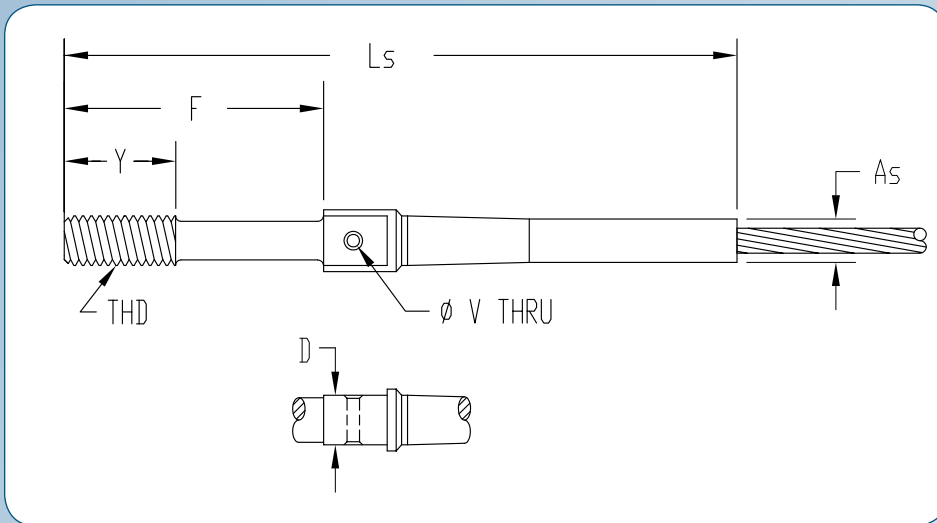
PART NUMBER	CABLE DIAMETER	THD (UNF-3A)	AS DIAMETER		D	LS	V DIAMETER ±.005	Y +.083 -0.020
MS21259-2RH	1/16" (.062)	#6-40 RH	0.138	+0.000 -0.005	0.188	2.65	0.063	1.045
MS21259-3RH	3/32" (.093)	#10-30 RH	0.190	+0.000 -0.005	0.250	3.00	0.063	1.204
MS21259-3LH	3/32" (.093)	#10-30 RH	0.190	+0.000 -0.005	0.250	3.00	0.063	1.204
MS21259-4RH	1/8" (.125)	1/4-28 RH	0.219	+0.000 -0.005	0.313	3.59	0.063	1.376
MS20668-5RH	5/32" (.156)	1/4-28 RH	0.250	+0.000 -0.005	0.313	3.97	0.063	1.376
MS20668-6RH	3/16" (.187)	5/16-24 RH	0.313	+0.000 -0.005	0.375	4.17	0.098	1.453
MS20668-6LH	3/16" (.187)	5/16-24 RH	0.313	+0.000 -0.005	0.375	4.17	0.098	1.453
MS20668-8RH	1/4" (.250)	3/8-24-RH	0.438	+0.000 -0.007	0.500	5.24	0.098	1.750

Note: All dimensions are reference, after swage and in inches unless otherwise noted.

MIL-Spec Fittings STUD



BERGEN CABLE TECHNOLOGY, LLC



STUD

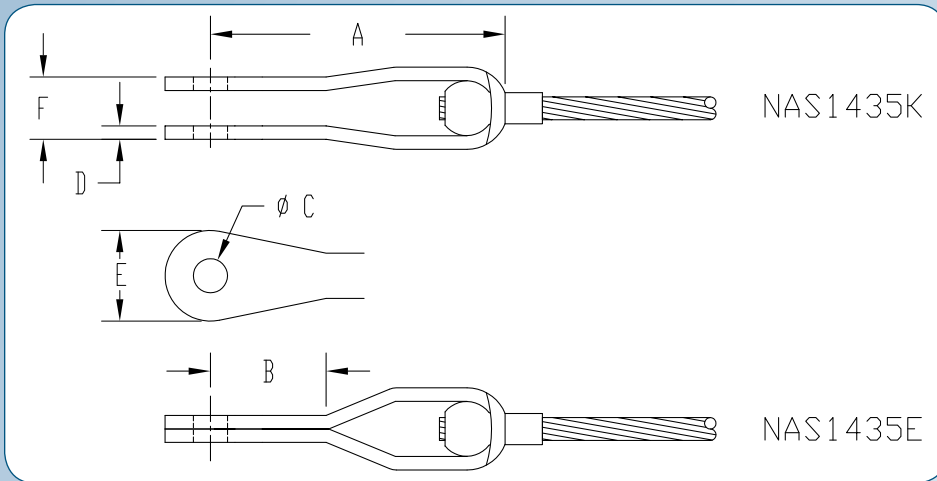
PART NUMBER	CABLE DIAMETER	THD (UNF-3A)	AS DIAMETER		D	F	LS	V DIAMETER ±.005	Y +.083 -.020
MS21260S2RH	1/16" (.062)	#6-40 RH	0.138		0.188	1.30	2.79	0.063	0.375
MS21260S2LH		#6-40 LH							
MS21260L2RH		#6-40 RH				2.17	3.67		
MS21260L2LH		#6-40 LH							
MS21260S3RH	3/32" (.093)	#10-30 RH	0.190		0.250	1.28	2.98	0.500	
MS21260S3LH		#10-30 LH							
MS21260L3RH		#10-30 RH				2.16	4.28		
MS21260L3LH		#10-30 LH							
MS21260S4RH	1/8" (.125)	1/4-28 RH	0.219		0.313	1.28	3.40	0.563	
MS21260S4LH		1/4-28 LH							
MS21260L4RH		1/4-28 RH				2.16	4.28		
MS21260L4LH		1/4-28 LH							
MS21260S5RH	5/32" (.156)	1/4-28 RH	0.250		0.313	1.28	3.78	0.625	
MS21260S5LH		1/4-28 LH							
MS21260L5RH		1/4-28 RH				2.16	4.66		
MS21260L5RH		1/4-28 LH							
MS21260L6RH	3/16" (.187)	5/16-24 RH	0.313		0.375	2.16	4.78	0.750	
MS21260L6LH		5/16-24 LH							
MS21260-8RH	1/4" (.250)	3/8-24-24 RH	0.438		0.500	2.16	5.52	0.875	
MS21260-10RH	5/16" (.312)	1/2-20 RH	0.563		0.688	2.16	6.30	1.000	
MS21260-12RH	3/8" (.375)	9/16-18 RH	0.625		0.750	2.33	7.01	1.125	

Note: All dimensions are reference, after swage and in inches unless otherwise noted.

MIL-Spec Fittings STRAP



BERGEN CABLE TECHNOLOGY, LLC



STRAP							
PART NUMBER	CABLE DIAMETER	"A"	"B"	"C"	"D"	"E"	"F"
NAS1435E2	1/16" (.062)	1.063	0.454	0.188	0.088	0.375	0.093
NAS1435K2	1/16" (.062)	1.063	0.454	0.188	0.042	0.375	0.093
NAS1435E3	3/32" (.093)	1.500	0.616	0.188	0.103	0.438	0.108
NAS1435K-3	3/32" (.093)	1.500	0.616	0.188	0.049	0.438	0.108
NAS1435E4	1/8" (.125)	1.625	0.638	0.188	0.190	0.500	0.195
NAS1435E4-MOD	1/8" (.125)	1.625	0.638	0.219	0.190	0.500	0.195
NAS1435K4	1/8" (.125)	1.625	0.638	0.188	0.093	0.500	0.195
NAS1435K5	5/32" (.156)	1.969	0.699	0.250	0.096	0.563	0.202

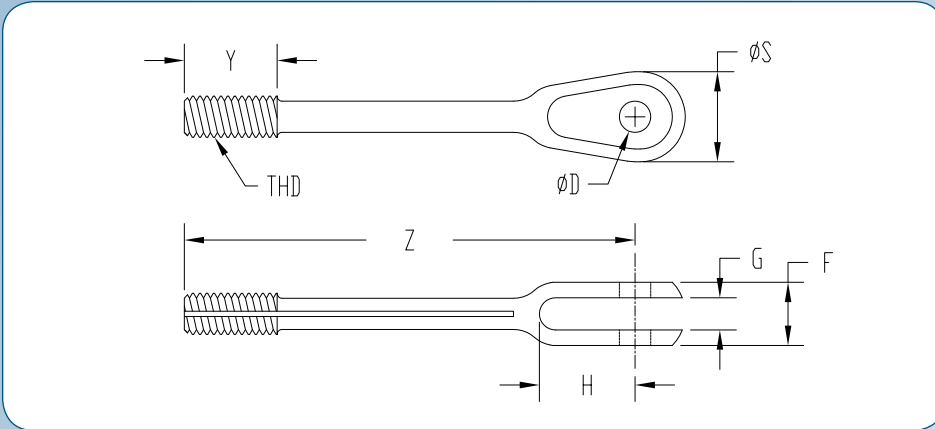
Note: All dimensions are reference, after swage and in inches unless otherwise noted.

MIL-Spec Fittings

CLEVIS (TURNBUCKLE CLIP-LOCKING)



BERGEN CABLE TECHNOLOGY, LLC

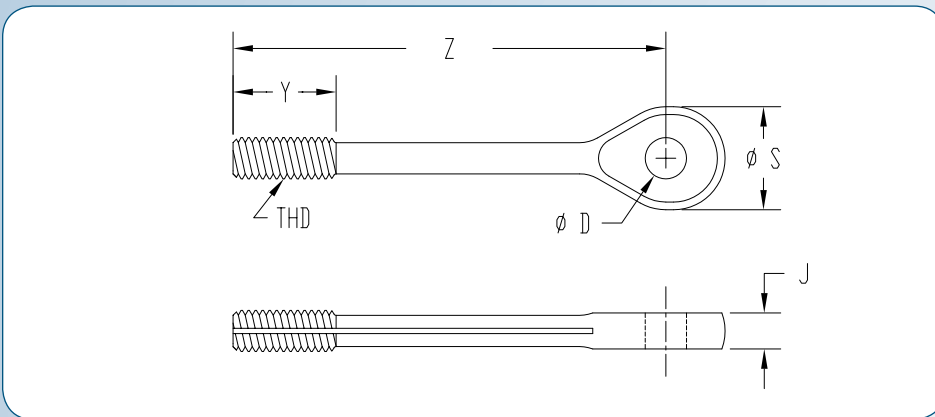


CLEVIS (TURNBUCKLE CLIP-LOCKING)

PART NUMBER	CABLE DIAMETER	THD (UNF-3A)	D DIAMETER +.002	F +.010 -0.005	G +.010	H	S DIAMETERS ±.010	Y ±.047	Z ±.047
MS21252-C6LL	3/16" (.187)	5/16-24 LH	0.313	0.547	0.250	0.656	0.734	0.750	2.906
MS21252-10RL	5/16" (.312)	1/2-20 RH	0.500	0.844	0.437	1.188	1.219	1.000	3.688

Note: All dimensions are reference, after swage and in inches unless otherwise noted.

EYE (TURNBUCKLE CLIP-LOCKING)



EYE (TURNBUCKLE CLIP-LOCKING)

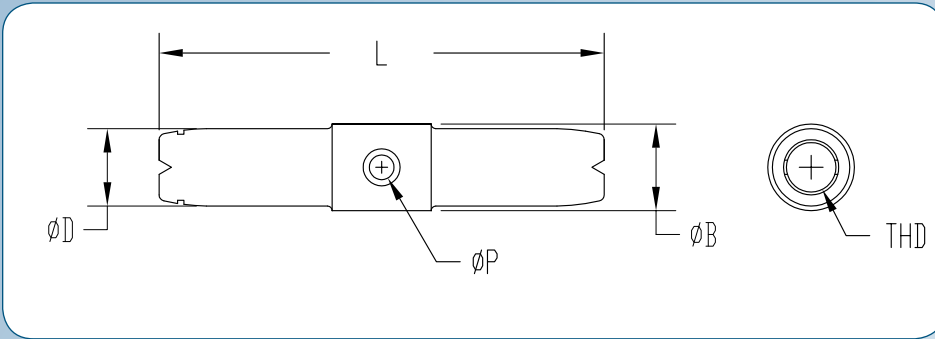
PART NUMBER	CABLE DIAMETER	THD (UNF-3A)	D DIAMETER +.002	J ±.005	ØS +.025 -0.010	Y ±.047	Z +.031 -0.015
MS21254-5RS	5/32" (.156)	1/4-28 RH	0.250	0.219	0.625	0.625	1.750
MS21254-8LL	1/4" (.250)	3/8-24 LH	0.375	0.328	0.875	0.875	2.875
MS21254-10LL	5/16" (.312)	1/2-20 LH	0.500	0.469	1.188	1.000	3.625

Note: All dimensions are reference, after swage and in inches unless otherwise noted.

MIL-Spec Fittings TURNBUCKLE



BERGEN CABLE TECHNOLOGY, LLC

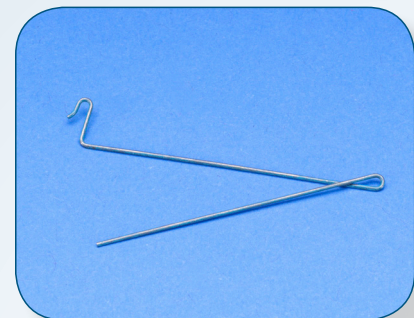
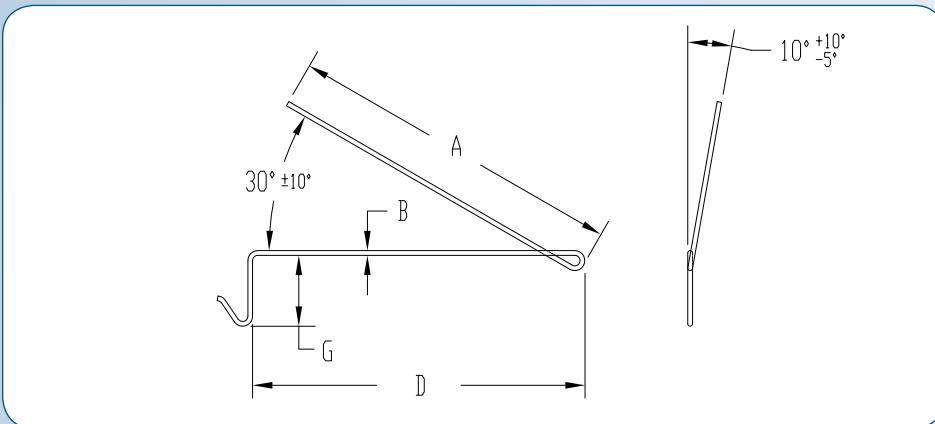


TURNBUCKLE

PART NUMBER	MATERIAL	CABLE DIAMETER	THD (UNF-3B)	B DIAMETER ±.005	D DIAMETER ±.005	L	P DIAMETER ±.005	CORRESPONDING LOCKING-CLIP MS21256
MS21251A2L	Aluminum	3/16" (.187)	#6-40	0.250	0.219	4.000	0.125	-2
MS21251B3S	Brass	3/32" (.093)	#10-32	0.344	0.281	2.250		-1
MS21251B5S	Brass	5/32" (.156)	1/4-28	0.438	0.391	2.250		-1
MS2125B5L	Brass	5/32" (.156)				4.000		-2
MS2125-B6L	Brass	3/16" (.187)	5/16-24	0.500	0.438	4.000		-2
MS21251B8L	Brass	1/4" (.250)	3/8-24	0.625	0.594	4.000		-2

Note: All dimensions are reference, after swage and in inches unless otherwise noted.

TURNBUCKLE LOCKING CLIP



TURNBUCKLE LOCKING CLIP

PART NUMBER	"A"	"B" ±.005	"D"	"G"
MS21256-1	0.965	0.0286	1.078	0.300
MS21256-2	1.875	0.0286	1.955	0.315
MS21256-3	2.045	0.0286	2.015	0.430