

## CORE THREADED FITTINGS

PART NUMBER	FITS CORE DIAMETER	MATERIAL	FINISH	THD	"A"	"B"	"C"
BW440-15P	3/64" (.046)	CARBON ST	ZINC	#10-24, 2A	0.50	1.00	0.16
BW440-15S		STST	PASSIVATE	#10-24, 2A	0.50	1.00	0.16
404-00-193		BRASS	NONE	#10-24, 2A	0.50	1.04	0.16
BW443-15-219		STST	NONE	#10-32, 2A	2.00	2.54	0.12
404-00-196		STST	NONE	#5-40, 2A	0.50	1.05	0.10
403-15-190		STST	NONE	#8-32, 2A	0.75	1.57	0.13
444-15-451		BRASS	NONE	M5+FLAT	1.30	2.27	0.18
BW433-01-041		STST	NONE	#5-40, 2A	0.62	1.17	0.10
BW440-2P		1/16" (.062)	CARBON ST	ZINC	#10-24, 2A	0.50	1.12
BW440-2S	STST		PASSIVATE	#10-24, 2A	0.50	1.12	0.16
1152-1	BRASS		NONE	M5 + FLAT	1.30	2.29	0.18
3213-1	STST		PASSIVATE	#10-24, 2A	0.42	1.10	0.19
3213-2	STST		PASSIVATE	#10-24, 2A	1.00	1.74	0.19
404-02-191	BRASS		NONE	#10-24, 2A	1.50	2.39	0.16
404-02-194	BRASS		NONE	#8-32, 2A	1.00	1.64	0.16
3111-1	STST		PASSIVATE	M6 X 1	0.75	1.47	0.22
404-00-197	BRASS		NONE	1/4-20, 2A	0.75	1.36	0.22
BW440-02-434	CARBON ST		ZINC	1/4-28, 2A	1.06	1.84	0.16
3093-2	5/64 (.078)	STST	PASSIVATE	#10-32, 3A	1.50	3.19	0.16
3094-2		STST	PASSIVATE	#10-32, 3A	1.25	2.08	0.16

ALL DIMENSIONS ARE REFERENCE, AFTER SWAGE AND IN INCHES



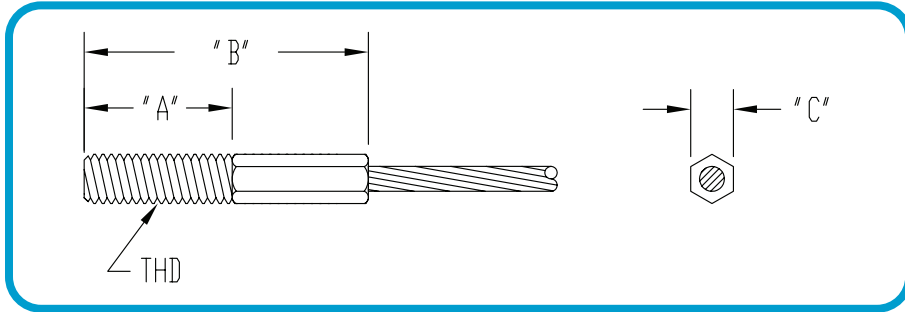
**ADDRESS** 343 Kaplan Drive, Fairfield, NJ 07004, USA

**PHONE** 973.276.9596

**QUESTIONS** [sales@bergencable.com](mailto:sales@bergencable.com)

**FAX** 973.276.9566

**MORE INFO** [BergenCable.com](http://BergenCable.com)



## CORE THREADED FITTINGS

PART NUMBER	FITS CORE DIAMETER	MATERIAL	FINISH	THD	"A"	"B"	"C"
BW440-3P	3/32" (.093)	CARBON ST	ZINC	1/4-20, 2A	0.75	1.38	0.22
BW440-3S		STST		1/4-20, 2A	0.75	1.38	0.22
443-03-493		CARBON ST	ZINC	#10-24, 2A	0.75	1.38	0.22
BW440-4S	1/8" (.125)	STST		1/4-20, 2A	0.75	1.44	0.22
BW442-04-426		CARBON ST	ZINC	1/4-28, 2A	0.75	1.55	0.22
3219-1		STST		1/4-28, 2A	1.00	1.88	0.22
BW442-04-425		CARBON ST	ZINC	1/4-28, 3A	1.25	2.31	0.22
BW403-04-189		STST		1/4-28, 3A	1.00	1.96	0.22
BW442-04-439		CARBON ST	ZINC	5/16-18, 2A	2.50	3.40	0.27
402-05-202	5/32" (.156)	CARBON ST	ZINC	1/4-28-2A	0.75	2.15	0.27
402-05-201		CARBON ST	ZINC	3/8-16, 2A	2.35	4.75	0.27
BW440-6P	3/16" (.187)	CARBON ST	ZINC	3/8-16, 2A	1.25	2.25	0.31
BW440-10P	5/16" (.312)	CARBON ST	ZINC	5/8-11, 2A	1.75	3.46	0.56
BW443-06-371		CARBON ST	ZINC	3/8-16, 2A	2.62	3.75	0.31
BW442-10-261		CARBON ST	ZINC	3/8-16, 2A	2.10	3.27	0.54

ALL DIMENSIONS ARE REFERENCE, AFTTER SWAGE AND IN INCHES



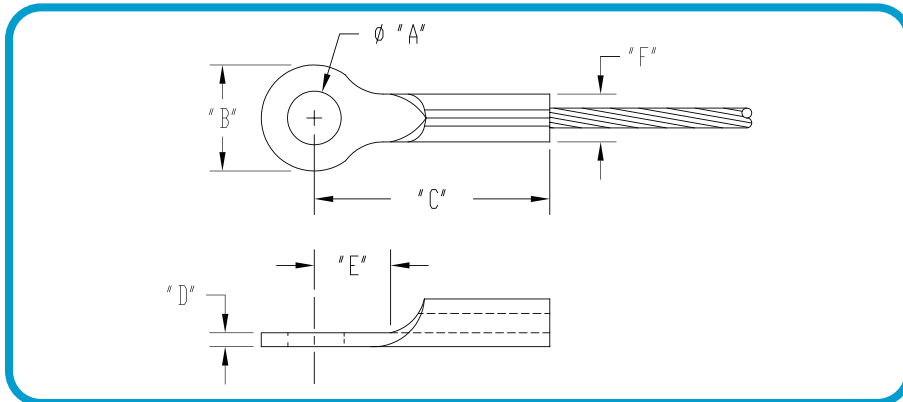
**ADDRESS** 343 Kaplan Drive, Fairfield, NJ 07004, USA

**PHONE** 973.276.9596

**QUESTIONS** [sales@bergencable.com](mailto:sales@bergencable.com)

**FAX** 973.276.9566

**MORE INFO** [BergenCable.com](http://BergenCable.com)



## CORE EYE FITTINGS

PART NUMBER	FITS CORE DIAMETER	MATERIAL	FINISH	Ø "A"	"B"	"C"	"D"	"E"	"F"
23015P156075	3/64" (.046)	CARBON ST	ZINC	0.156	0.32	0.75	0.042	0.17	0.14
23015S156075		STST	NONE	0.156	0.32	0.75	0.042	0.17	0.14
230-15SPASS		STST	PASSIVATE	0.156	0.32	0.75	0.042	0.17	0.14
23015P171075		CARBON ST	ZINC	0.171	0.32	0.75	0.042	0.17	0.14
23015P180075		CARBON ST	ZINC	0.180	0.32	0.75	0.042	0.17	0.14
23015S190075		STST	NONE	0.190	0.32	0.75	0.042	0.17	0.14
232-15-145	1/16" (.062)	CARBON ST	ZINC	0.472*	0.60	0.80	0.046	0.30	0.21
2195-1		STST	PASSIVATE	0.130	0.39	0.67	0.036	0.20	0.21
2302P156075		CARBON ST	ZINC	0.156	0.42	0.75	0.062	0.22	0.21
2302P190075		CARBON ST	ZINC	0.190	0.42	0.75	0.062	0.22	0.21
2302P190100		CARBON ST	ZINC	0.190	0.42	1.00	0.062	0.22	0.21
2302P240075		CARBON ST	ZINC	0.240	0.42	0.75	0.062	0.22	0.21
2302P260075		CARBON ST	ZINC	0.260	0.42	0.75	0.062	0.22	0.21
2302P260100		CARBON ST	ZINC	0.260	0.42	1.00	0.062	0.22	0.21
2302S190100		STST	NONE	0.190	0.42	1.00	0.062	0.22	0.21
2302S218100		STST	NONE	0.218	0.42	1.00	0.062	0.22	0.21
2302S250100		STST	NONE	0.250	0.42	1.00	0.062	0.22	0.21
232-02-150		CARBON ST	ZINC	0.265	0.47	0.50	0.062	0.25	0.21

\* Hole contains a .18" Dia rounded notch.

ALL DIMENSIONS ARE REFERENCE, AFTTER SWAGE AND IN INCHES



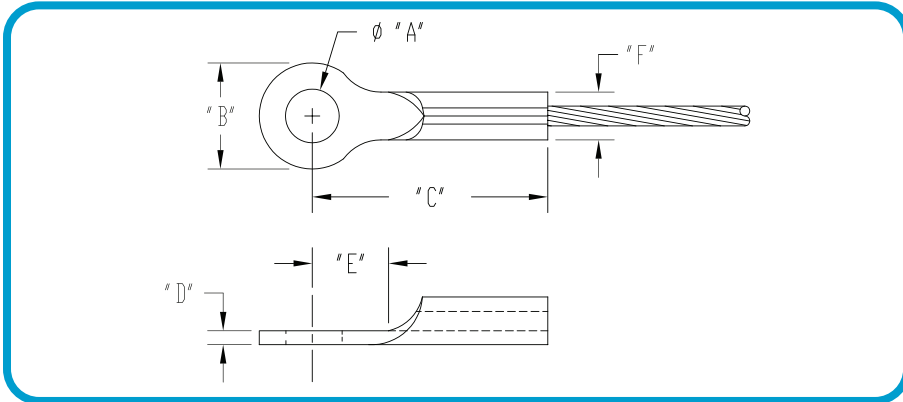
**ADDRESS** 343 Kaplan Drive, Fairfield, NJ 07004, USA

**PHONE** 973.276.9596

**QUESTIONS** [sales@bergencable.com](mailto:sales@bergencable.com)

**FAX** 973.276.9566

**MORE INFO** [BergenCable.com](http://BergenCable.com)



## CORE EYE FITTINGS

PART NUMBER	FITS CORE DIAMETER	MATERIAL	FINISH	Ø "A"	"B"	"C"	"D"	"E"	"F"
2303S203150	3/32" (.093)	STST	NONE	0.203	0.50	1.50	0.093	0.33	0.28
2303P250150		CARBON ST	ZINC	0.250	0.50	1.50	0.093	0.33	0.28
2303S250150		STST	NONE	0.250	0.50	1.50	0.093	0.33	0.28
2303P257150		CARBON ST	ZINC	0.257	0.50	1.50	0.093	0.33	0.28
2304S250200PASS	1/8" (.125)	STST	PASSIVATE	0.250	0.58	2.00	0.125	0.62	0.35
2306P281300	3/16" (.187)	CARBON ST	ZINC	0.281	0.82	3.00	0.187	0.66	0.55

ALL DIMENSIONS ARE REFERENCE, AFTTER SWAGE AND IN INCHES



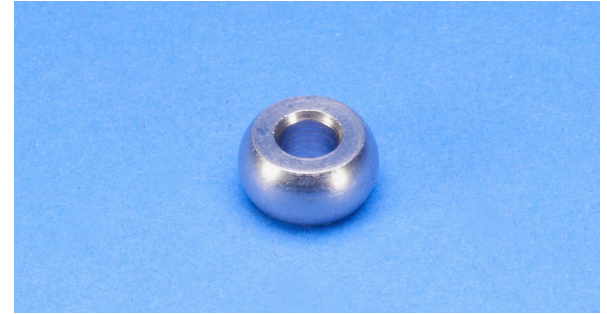
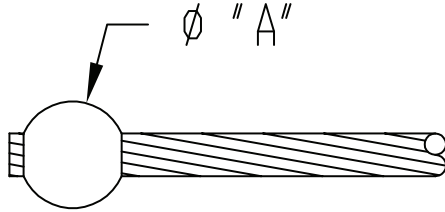
**ADDRESS** 343 Kaplan Drive, Fairfield, NJ 07004, USA

**PHONE** 973.276.9596

**QUESTIONS** [sales@bergencable.com](mailto:sales@bergencable.com)

**FAX** 973.276.9566

**MORE INFO** [BergenCable.com](http://BergenCable.com)



## CORE BALL FITTINGS

PART NUMBER	FITS CORE DIAMETER	MATERIAL	FINISH	Ø "A"
BW303-15-133	3/64" (.046)	STST	NONE	0.093
BW303-15-138			PASSIVATE	0.125
BW300-15S			PASSIVATE	0.190
303-15-150			NONE	0.250
BW303-02-134	1/16" (.062)	STST	NONE	0.170
BW300-2S			PASSIVATE	0.190
BW303-02-082			NONE	0.250
BW300-3S	3/32" (.093)	STST	PASSIVATE	0.253
BW300-4S	1/8" (.125)	STST	PASSIVATE	0.315
BW300-6S	3/16" (.187)	STST	PASSIVATE	0.442

ALL DIMENSIONS ARE REFERENCE, AFTTER SWAGE AND IN INCHES



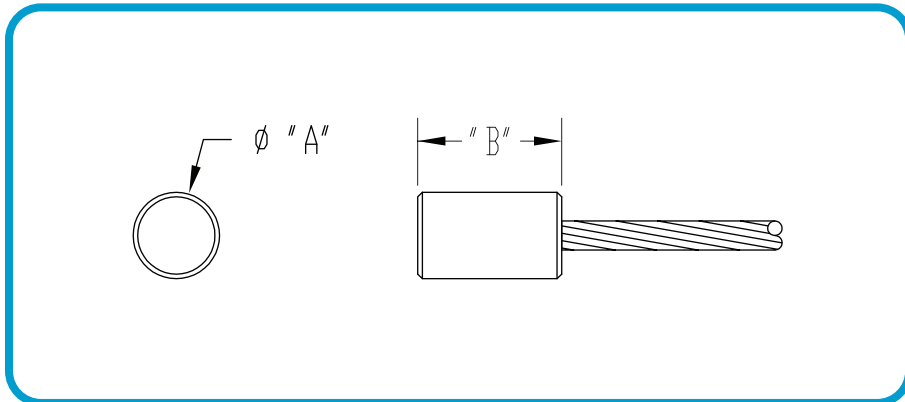
**ADDRESS** 343 Kaplan Drive, Fairfield, NJ 07004, USA

**PHONE** 973.276.9596

**QUESTIONS** [sales@bergencable.com](mailto:sales@bergencable.com)

**FAX** 973.276.9566

**MORE INFO** [BergenCable.com](http://BergenCable.com)



## CORE PLUG FITTINGS (ROUND SWAGE)

PART NUMBER	FITS CORE DIAMETER	MATERIAL	FINISH	Ø "A"	"B"
BW310-15S	3/64" (.046)	STST	NONE	0.190	0.28
3402-1	1/16" (.062)	STST	NONE	0.188	0.49
BW310-2S		STST	NONE	0.250	0.38
BW310-3S	3/32" (.093)	STST	NONE	0.312	0.50
BW312-03-455		CARBON ST	ZINC	0.312	0.88
BW310-4S	1/8" (.125)	STST	NONE	0.375	0.63
3402-2	3/16" (.187)	STST	NONE	0.307	1.30
313-06-487		STST	NONE	0.371	0.39
BW310-6S		STST	NONE	0.500	0.75
313-06-486		STST	NONE	0.684	0.47
BW310-8S	1/4" (.250)	STST	NONE	0.625	1.00
BW312-04-452		CARBON ST	ZINC	0.375	0.88
313-12-491	3/8" (.375)	STST	NONE	0.684	0.75
313-12-490		STST	NONE	0.871	0.75
BW310-12S		STST	NONE	0.875	1.56

ALL DIMENSIONS ARE REFERENCE, AFTTER SWAGE AND IN INCHES



**ADDRESS** 343 Kaplan Drive, Fairfield, NJ 07004, USA

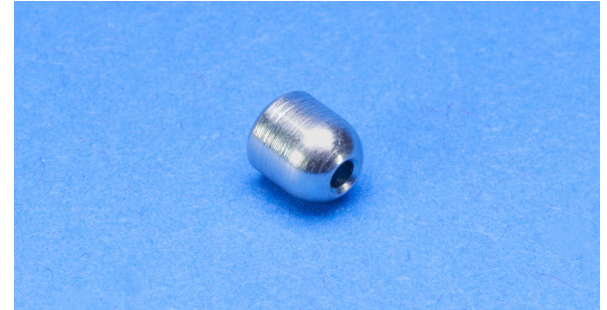
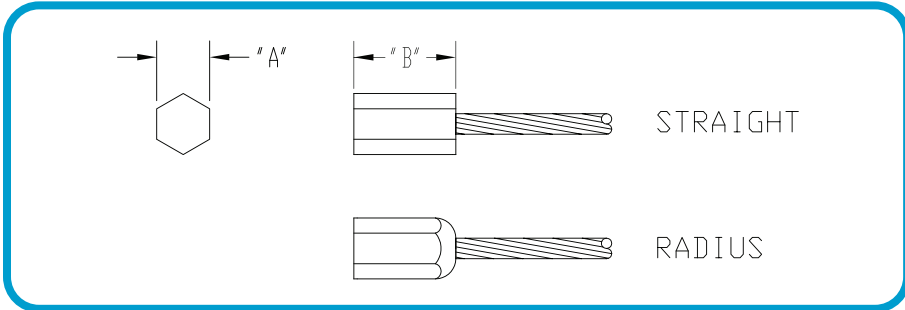
**PHONE** 973.276.9596

**QUESTIONS** [sales@bergencable.com](mailto:sales@bergencable.com)

**FAX** 973.276.9566

**MORE INFO** [BergenCable.com](http://BergenCable.com)

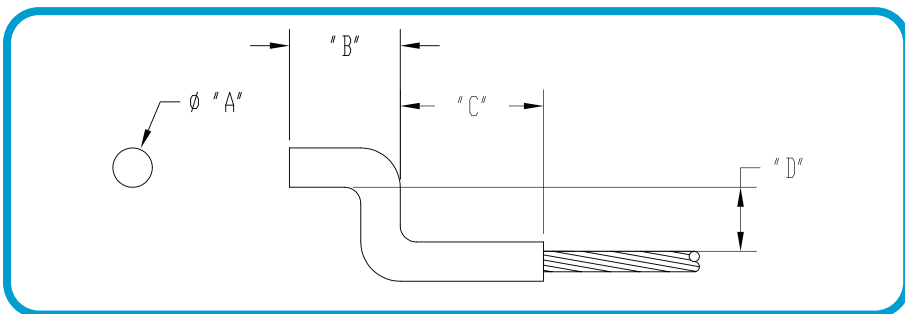




## CORE PLUG FITTINGS (HEX SWAGE)

PART NUMBER	FITS CORE DIAMETER	MATERIAL	FINISH	Ø "A"	"B"	END TYPE
BW313-15-428	3/64" (.046)	STST	PASSIVATE	0.11	0.14	STRAIGHT
315-15-476		CARBON ST	ZINC	0.11	0.14	STRAIGHT
315-15-475		ALUMINUM	NONE	0.16	0.25	STRAIGHT
BW312-15-447		CARBON ST	ZINC	0.16	0.25	STRAIGHT
315-15-474		ALUMINUM	NONE	0.22	0.25	STRAIGHT
3174-1	1/16" (.062)	STST	PASSIVATE	0.11	0.13	STRAIGHT
312-04-500	1/8" (.125)	CARBON ST	ZINC	0.31	0.63	STRAIGHT

ALL DIMENSIONS ARE REFERENCE, AFTER SWAGE AND IN INCHES



## CORE "Z" FITTING

PART NUMBER	FITS CORE DIAMETER	MATERIAL	FINISH	"A"	"B"	"C"	"D"
BW538-00-023	1/16" (.062)	CARBON ST	ZINC	0.12	0.78	0.44	0.17

ALL DIMENSIONS ARE REFERENCE, AFTER SWAGE AND IN INCHES



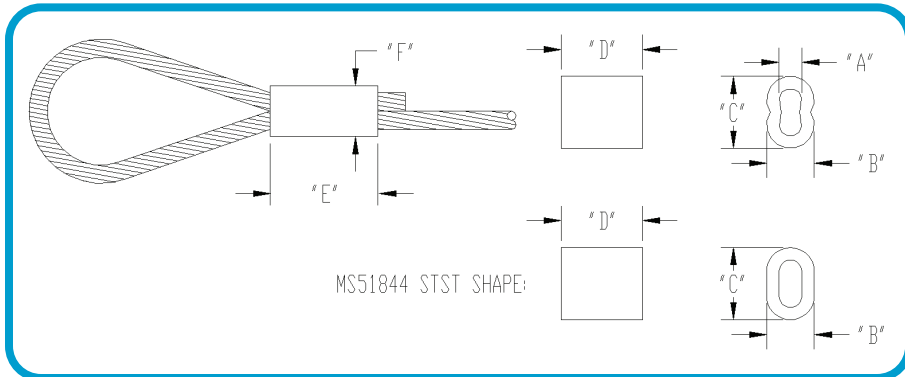
**ADDRESS** 343 Kaplan Drive, Fairfield, NJ 07004, USA

**PHONE** 973.276.9596

**QUESTIONS** [sales@bergencable.com](mailto:sales@bergencable.com)

**FAX** 973.276.9566

**MORE INFO** [BergenCable.com](http://BergenCable.com)



## CORE LOOP SLEEVE FITTINGS

PART NUMBER	FITS CORE DIAMETER	MATERIAL	FINISH	"A"	"B"	"C"	"D"	"E"	"F"
BW600-1	1/32" (.031)	COPPER	NONE	3/64	3/32	1/8	1/4	0.29	0.08
BW610-1		Copper	ZINC	3/64	3/32	1/8	1/4	0.29	0.08
MS51844-20		COPPER	ZINC	3/64	3/32	1/8	1/4	0.29	0.09
MS51844-60		STST	PASSIVATED		3/32	9/64	1/4	0.29	0.10
BW610-15	3/64" (.046)	COPPER	ZINC	1/16	9/64	13/64	3/8	0.44	0.15
MS51844-61		STST	PASSIVATED		1/8	13/64	3/8	0.44	0.14
BW600-2	1/16" (.062)	COPPER	NONE	3/32	11/64	1/4	3/8	0.44	0.19
BW610-2		COPPER	ZINC	3/32	11/64	1/4	3/8	0.44	0.19
BW610-2S		STST	PASSIVATED		9/64	7/32	3/8	0.44	0.15
MS51844-22		COPPER	ZINC	3/32	11/64	1/4	3/8	0.44	0.18
MS51844-62		STST	PASSIVATED		9/64	7/32	3/8	0.44	0.15
MS51844-82		COPPER	TIN	3/32	11/64	1/4	3/8	0.44	0.18
BW600-3	3/32" (.093)	COPPER	NONE	1/8	7/32	3/8	7/16	0.50	0.27
BW610-3		COPPER	ZINC	1/8	7/32	3/8	7/16	0.50	0.27
BW610-3A		ALUMINUM	NONE	1/8	1/4	3/8	1/2	0.57	0.27
MS51844-23		COPPER	ZINC	1/8	7/32	3/8	7/16	0.50	0.26
MS51844-63		STST	PASSIVATED		11/64	9/32	3/8	0.44	0.19

ALL DIMENSIONS ARE REFERENCE, AFTER SWAGE AND IN INCHES



**ADDRESS** 343 Kaplan Drive, Fairfield, NJ 07004, USA

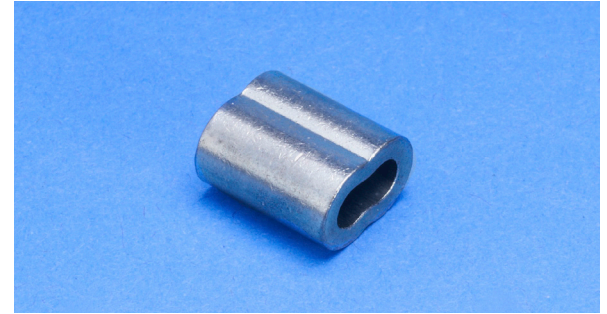
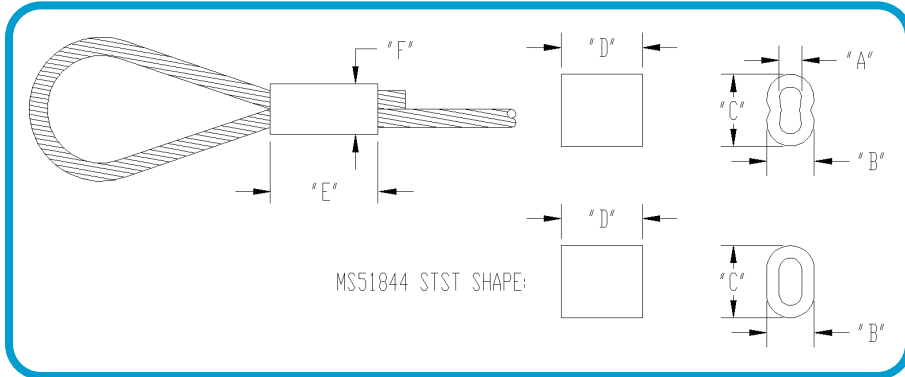
**PHONE** 973.276.9596

**QUESTIONS** [sales@bergencable.com](mailto:sales@bergencable.com)

**FAX** 973.276.9566

**MORE INFO** [BergenCable.com](http://BergenCable.com)





## CORE LOOP SLEEVE FITTINGS

PART NUMBER	FITS CORE DIAMETER	MATERIAL	FINISH	"A"	"B"	"C"	"D"	"E"	"F"
BW600-4	1/8" (.125)	COPPER	NONE	5/32	21/64	1/2	9/16	0.75	0.35
BW610-4		COPPER	ZINC	5/32	21/64	1/2	9/16	0.75	0.35
BW610-4A		ALUMINUM	NONE	5/32	21/64	31/64	5/8	0.83	0.35
MS51844-24		COPPER	ZINC	5/32	21/64	1/2	9/16	0.75	0.36
MS51844-64	5/32" (.156)	STST	PASSIVATED		7/32	3/8	3/8	0.44	0.35
BW610-5		COPPER	ZINC	3/16	23/64	19/32	5/8	0.83	0.56
MS51844-65		STST	PASSIVATED		5/16	31/64	47/64	0.97	0.48
MS51844-26	3/16" (.187)	COPPER	ZINC	7/32	7/16	21/32	1	1.33	0.66
MS51844-66		STST	PASSIVATED		11/32	35/64	63/64	1.31	0.53
BW610-10	5/16" (.312)	COPPER	ZINC	3/8	43/64	1-1/64	1-1/8	1.50	1.01

ALL DIMENSIONS ARE REFERENCE, AFTER SWAGE AND IN INCHES



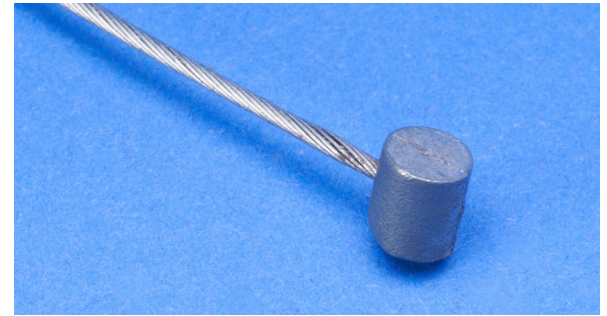
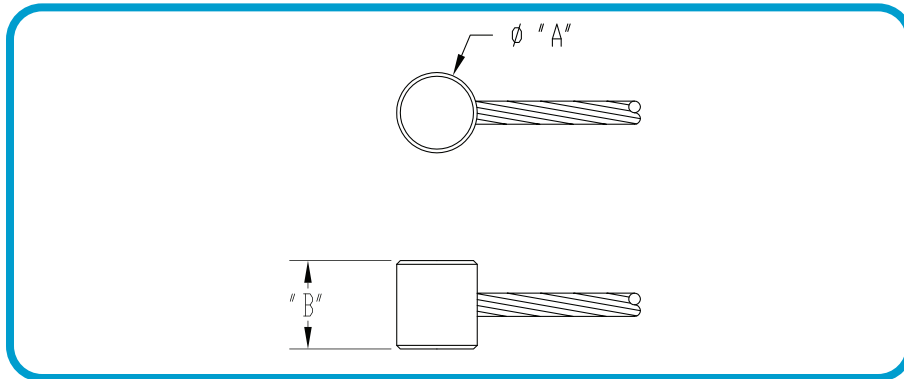
**ADDRESS** 343 Kaplan Drive, Fairfield, NJ 07004, USA

**PHONE** 973.276.9596

**QUESTIONS** [sales@bergencable.com](mailto:sales@bergencable.com)

**FAX** 973.276.9566

**MORE INFO** [BergenCable.com](http://BergenCable.com)



## BARREL FITTINGS

PART NUMBER	FITS CORE DIAMETER	MATERIAL	FINISH	Ø "A"	"B"	CRIMP OF DIE CAST
3053-4	3/64" (.046)	STST	NONE	0.220	0.250	CRIMP
3053-4 MOD	1/16" (.062)	STST	NONE	0.220	0.250	CRIMP
313-02-478	1/16" (.062)	STST	NONE	0.225	0.300	CRIMP
2182-1	1/16" (.062)	STST	NONE	0.275	0.250	CRIMP
2237-1	1/16" (.062)	ZINC	PASSIVALE	0.309	0.410	CRIMP
/6804-2	3/64" (.046) 1X19 GALV 34.75" L	ZINC	N/A	0.219	0.240	DIE CAST
/6094-2	3/64" (.046) 1X19 GALV 41" L	ZINC	N/A	0.219	0.240	DIE CAST
0444-1	3/64" (.046) 1X19 GALV 42" L	ZINC	N/A	0.219	0.240	DIE CAST
/6390-2	3/64" (.046) 1X19 GALV 45" L	ZINC	N/A	0.219	0.240	DIE CAST
0742-1	3/64" (.046) 1X19 GALV 46" L	ZINC	N/A	0.219	0.240	DIE CAST
/6252-2	3/64" (.046) 7X7 STST 53" L	ZINC	N/A	0.219	0.240	DIE CAST
2001-1	3/64" (.046) 1X19 GALV 55" L	ZINC	N/A	0.219	0.240	DIE CAST
3220-1 + 3220-2	1/8 (.125)	STST	NONE	0.380	0.500	CRIMP

ALL DIMENSIONS ARE REFERENCE, AFTTER SWAGE AND IN INCHES



**ADDRESS** 343 Kaplan Drive, Fairfield, NJ 07004, USA

**PHONE** 973.276.9596

**QUESTIONS** [sales@bergencable.com](mailto:sales@bergencable.com)

**FAX** 973.276.9566

**MORE INFO** [BergenCable.com](http://BergenCable.com)