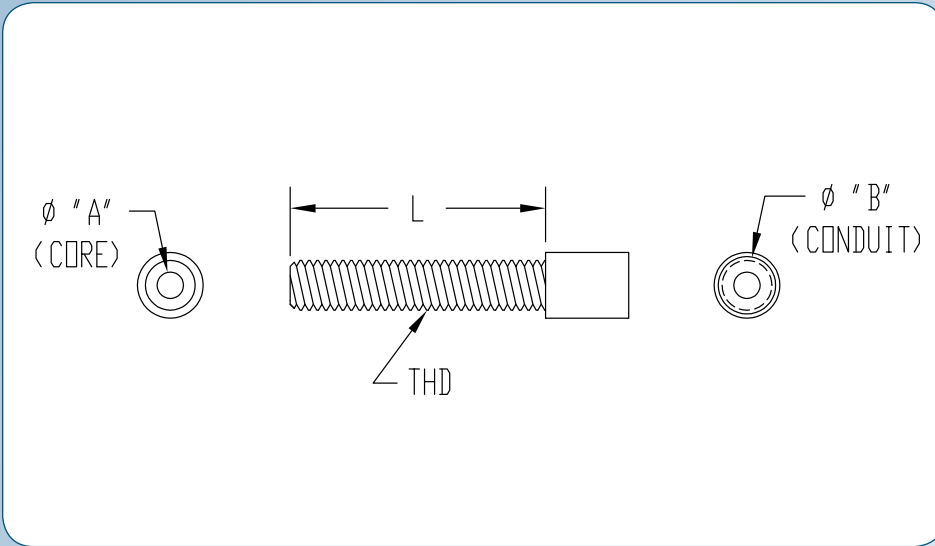


Conduit Fittings CONDUIT BULKHEADS



BERGEN CABLE TECHNOLOGY, LLC



CONDUIT BULKHEADS

PART NUMBER	MATERIAL	FINISH	Ø "A"	Ø "B"	"THD"	"L"	ROTATIONAL OR FIXED	CONDUIT OR CAP PN*
474-00-100	BRASS	NONE	0.062	0.228	1/4-28, 2A	0.56	FIXED	415187-00-01
404-00-192	BRASS	NONE	0.063	0.228	1/4-20, 2A	1.00	FIXED	415187-00-01
BW470-15S	STST	PASSIVATED	0.073	0.189	1/4-28, 2A	0.62	FIXED	1160J170
BW470-15P	CARBON ST	ZINC+CLEAR	0.073	0.189	1/4-28, 2A	0.62	FIXED	1160J170
474-00-102	CARBON ST	ZINC+CLEAR	0.078	0.169	1/4-28, 2A	0.75	FIXED	760-00-110
BW472-00-095	CARBON ST	ZINC+CLEAR	0.081	0.205	M6 X 1	1.18	FIXED	5087F192
472-00-091	CARBON ST	ZINC+CLEAR	0.081	0.205	1/4-20, 2A	0.79	FIXED	5087F192
472-00-095MOD	CARBON ST	ZINC+CLEAR	0.086	0.205	M6 X 1	1.00	FIXED	2985F200
3370-4	CARBON ST	ZINC+BLACK	0.086	0.205	M6 X 1	1.00	FIXED	2985F200
3037-2**	STST	NONE	0.090	0.26	1/4-28, 2A	1.06	FIXED	447218-01-01
3093-1	STST	PASSIVATED	0.093	0.343	3/8-24, 3A	1.00	FIXED	4589F330
473-25-096	STST	PASSIVATED	0.093	0.281	3/8-24, 3A	0.86	FIXED	1562F250
3093-1M	STST	PASSIVATED	0.110	0.343	3/8-24, 3A	1.00	FIXED	4589F330
3054-1	STST	BRIGHT	0.125	0.272	M6 X 1	1.14	ROTATIONAL	3053-7
2034-3	STST	NONE	0.169	0.343	3/8-24, 3A	1.00	FIXED	2034-1

* If rotational fitting, cap PN listed. If fixed fitting, conduit PN listed. (Fittings may work with other conduit PN's, consult Bergen engineering)

** Fitting contains .285 dia clip groove on shank.

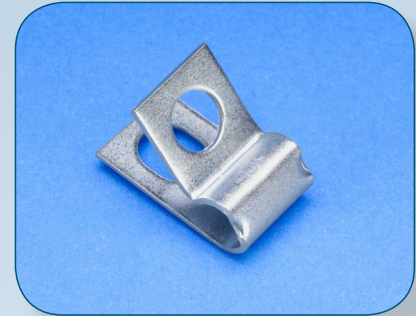
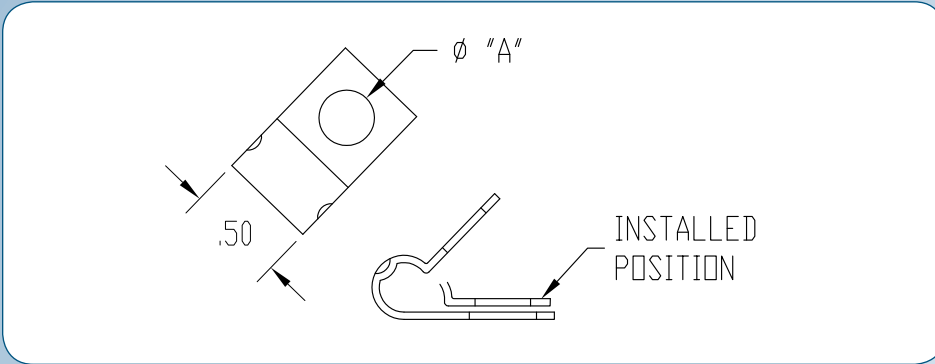
Note: All dimensions are reference, after swage and in inches unless otherwise noted.

Conduit Fittings

CONDUIT TAB FITTINGS



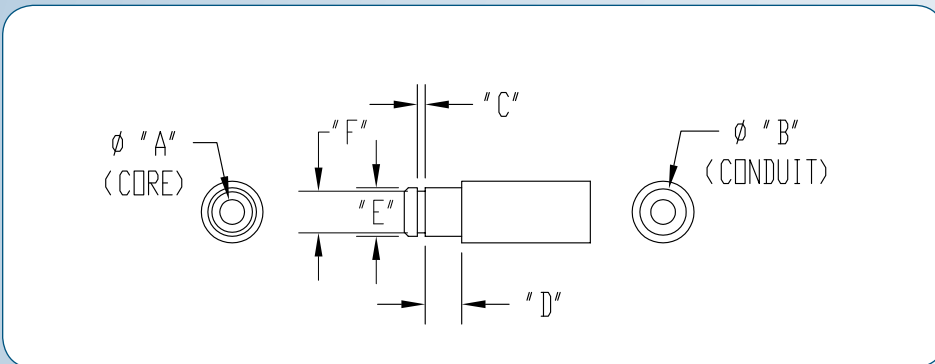
BERGEN CABLE TECHNOLOGY, LLC



CONDUIT TAB FITTINGS					
PART NUMBER	MATERIAL	FINISH	ϕ "A"	"B"	*CONDUIT PN
721-00-186	Carbon ST	Zinc + Clear	0.141	0.375	760-00-110
22-2115-02	Carbon ST	Zinc + Clear	0.280	0.500	5087F192-MOD

* Fittings may work with other conduit PN's, consult Bergen engineering.

CONDUIT SNAP-RING FITTINGS



CONDUIT SNAP-RING FITTINGS									
PART NUMBER	MATERIAL	FINISH	ϕ "A"	ϕ "B"	"C"	"D"	"E"	"F"	*CONDUIT PN
21-2257-01	CARBON ST	ZINC + CLEAR	0.125	0.234	0.039	0.185	0.245	0.210	415187-00-01
3111-3	STST	NONE	0.125	0.234	0.039	0.185	0.250	0.209	415187-00-01
444-00-450	BRASS	NONE	0.063	0.228	0.039	0.190	0.250	0.210	415187-00-01

* Fittings may work with other conduit PN's, consult Bergen engineering.

Note: All dimensions are reference, after swage and in inches unless otherwise noted.

343 Kaplan Drive, Fairfield, NJ 07004 USA • T: 973-276-9596 • F: 973-276-9566 • Email: sales@bergencable.com • www.bergencable.com

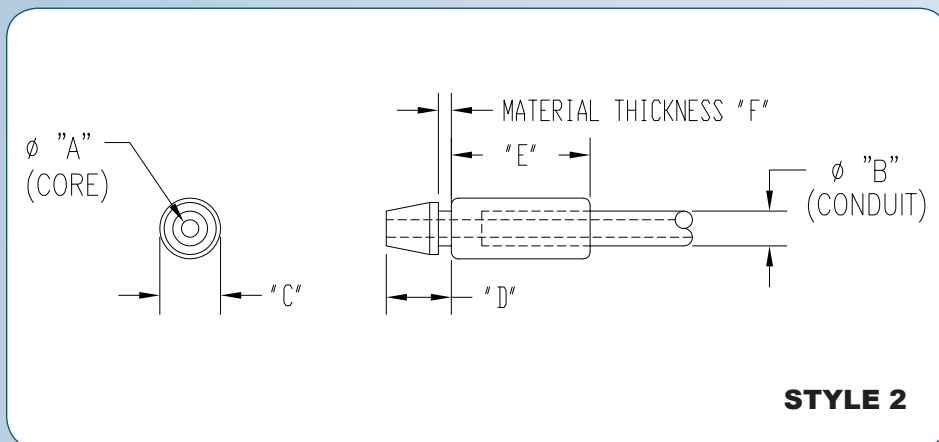
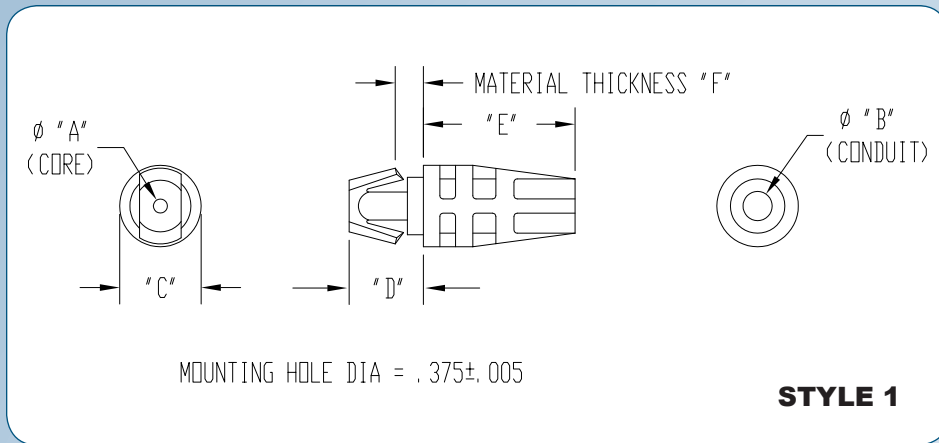
© Copyright 2012 Bergen Cable Technology, LLC, ALL RIGHTS RESERVED

Conduit Fittings

CONDUIT SNAP-IN FITTINGS



BERGEN CABLE TECHNOLOGY, LLC



CONDUIT SNAP-IN FITTINGS

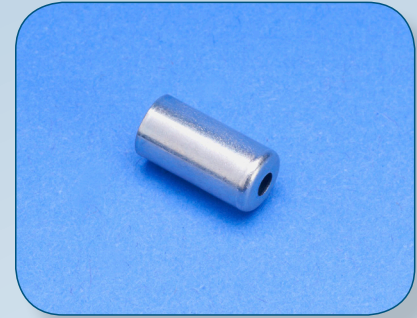
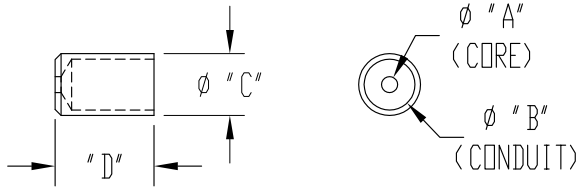
PART NUMBER	STYLE	MATERIAL	COLOR	Ø "A"	Ø "B"	"C"	"D"	"E"	"F"	*CONDUIT PN
CFP3-1	1	PLASTIC	GRAY	0.085	0.177	0.500	0.450	0.920	.120 to .135	415187-00-01 5087F197-MOD
587-00-012	2	PLASTIC	BLACK	0.095	0.197	0.354	0.331	0.693	0.063	5087F192-A

* Fittings may work with other conduit PN's, consult Bergen engineering.

Conduit Fittings CONDUIT CAPS



BERGEN CABLE TECHNOLOGY, LLC



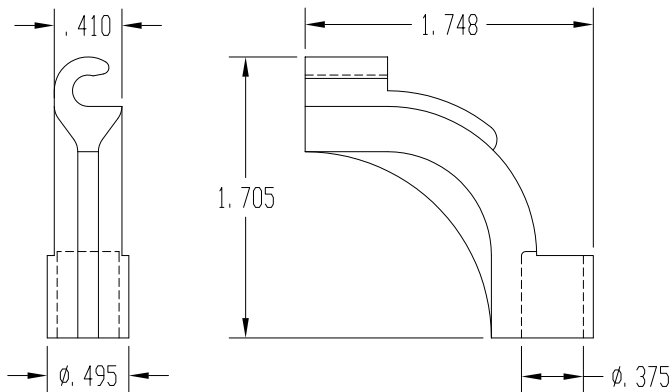
CONDUIT CAPS

PART NUMBER	MATERIAL	FINISH	Ø "A"	Ø "B"	Ø "C"	"D"	*CONDUIT PN
80-0002-02**	Carbon ST	Zinc + Clear	0.096	0.196	0.22	0.48	2985F200, 5087F192-MOD, 1160J170, 2971D190
3053-7***	Carbon ST	Zinc + Clear	0.081	0.205	0.26	0.50	2985F200
80-0002-01**	Carbon ST	Zinc + Clear	0.096	0.231	0.26	0.50	415187-00-01
2184-1***	STST	Passivated	0.081	0.257	0.31	0.50	1562F250
2183-1***	STST	Passivated	0.113	0.337	0.39	0.63	4589F330

* Fittings may work with other conduit PN's, consult Bergen engineering.
 ** Deep Drawn Fitting *** Machined Fitting

Note: All dimensions are reference, after swage and in inches unless otherwise noted.

CONDUIT 90° ELBOW



CONDUIT CAPS

PART NUMBER	MATERIAL	COLOR	*CONDUIT PN
537-00-022	DELTRIN	BLACK	2985F200, 5087F192-MOD

* Fittings may work with other conduit PN's, consult Bergen engineering.